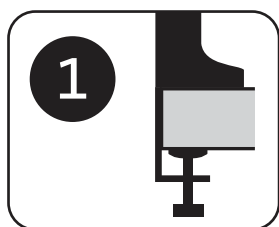




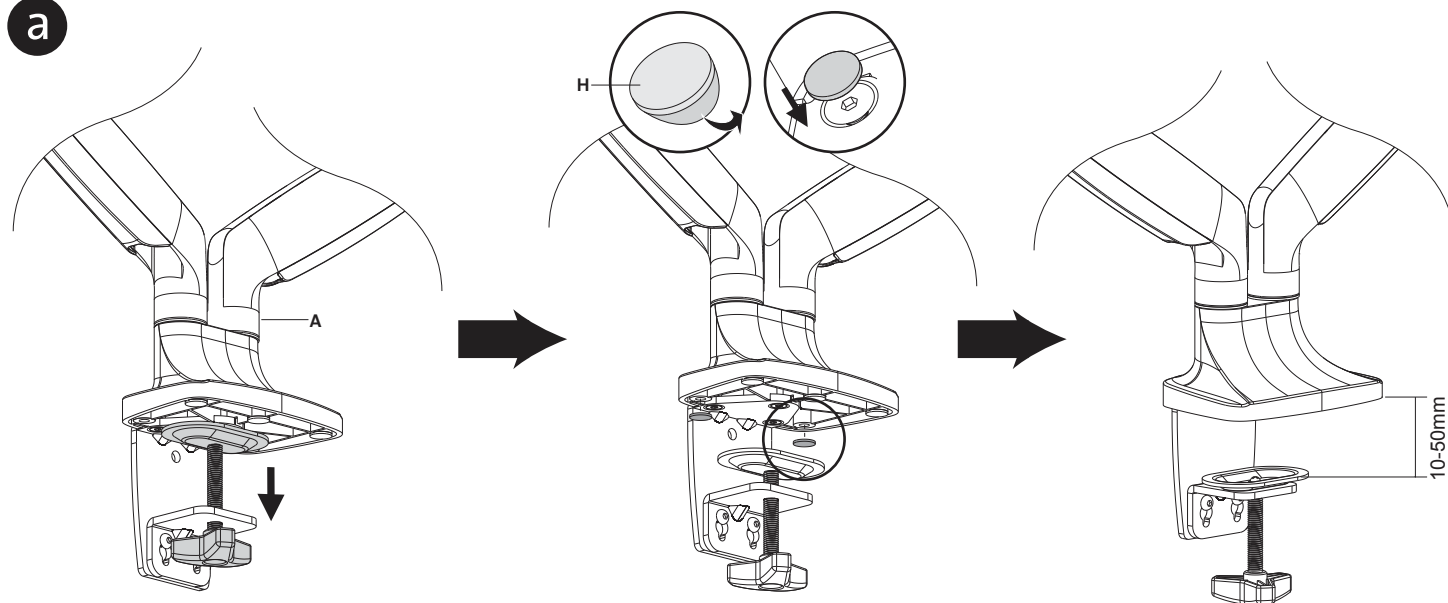
SmartFit® One-Touch Height Adjustable Dual Monitor Arm

kensington.com/register

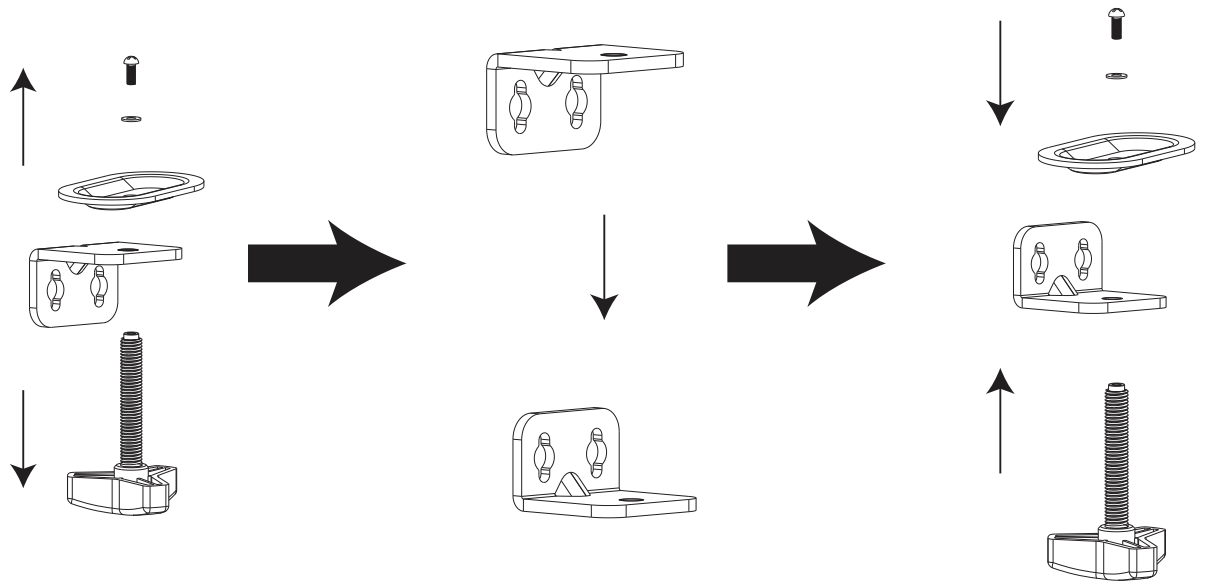
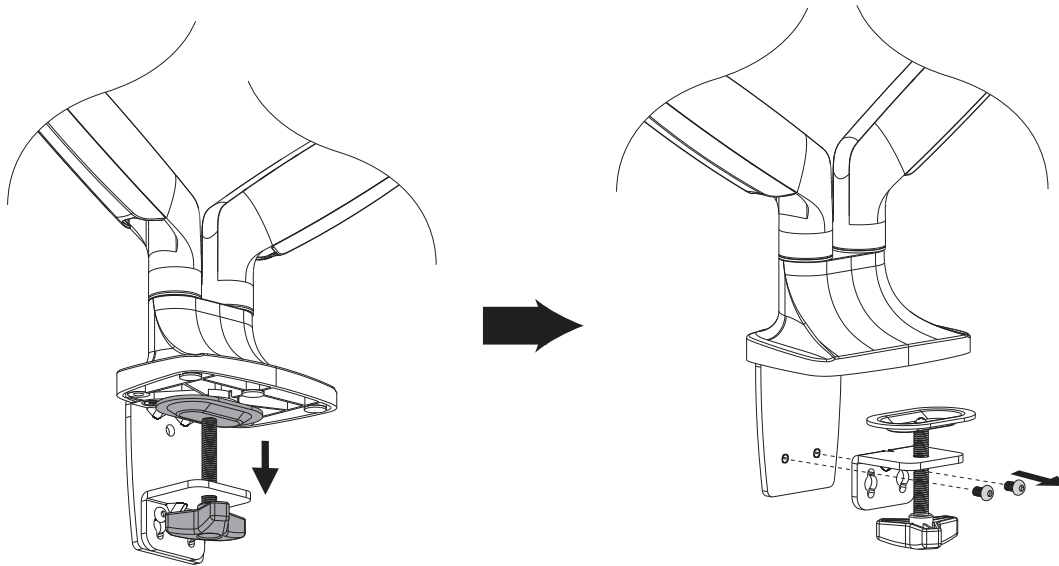
- A (x1)
- B (x2)
- C (x1)
- D (x1)
- E (x1)
- F (x1)
- G (x1)
- H (x2)
- I (x1) 4mm
- J (x1) 6mm
- M-A (x8) M4x12
- M-B (x8) M5x12
- M-C (x8) D5
- K (x2)
- L (x2)



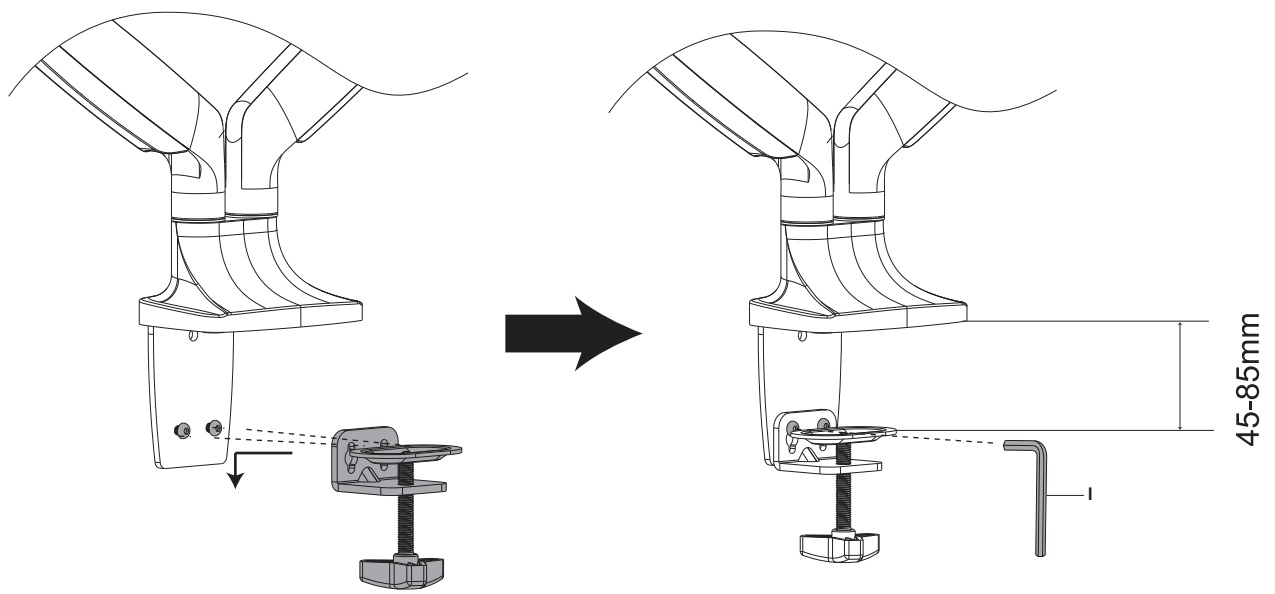
a

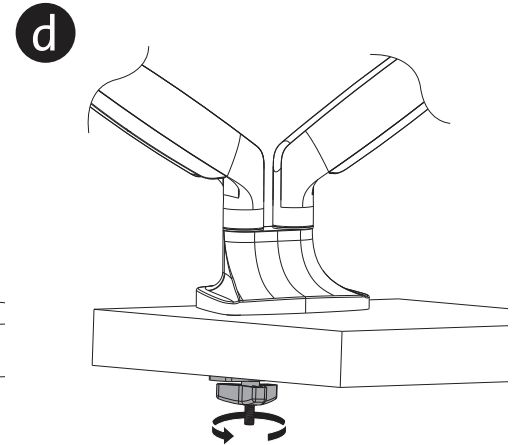
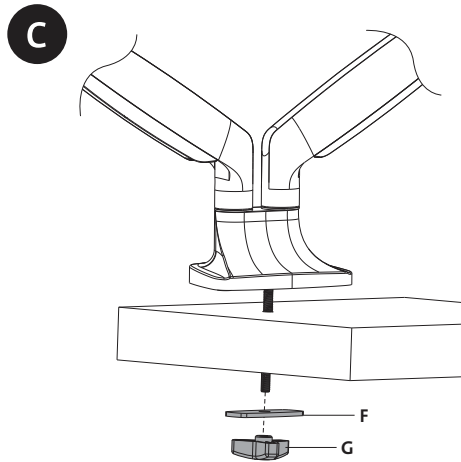
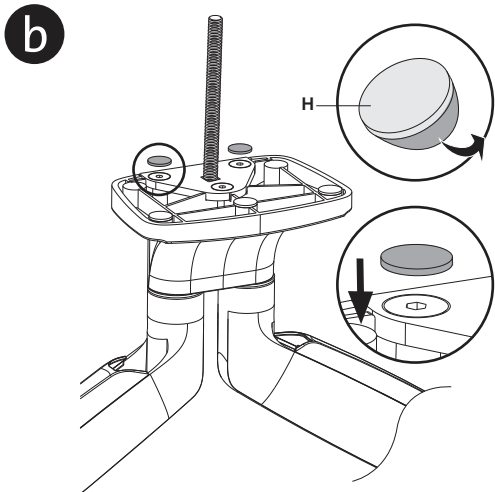
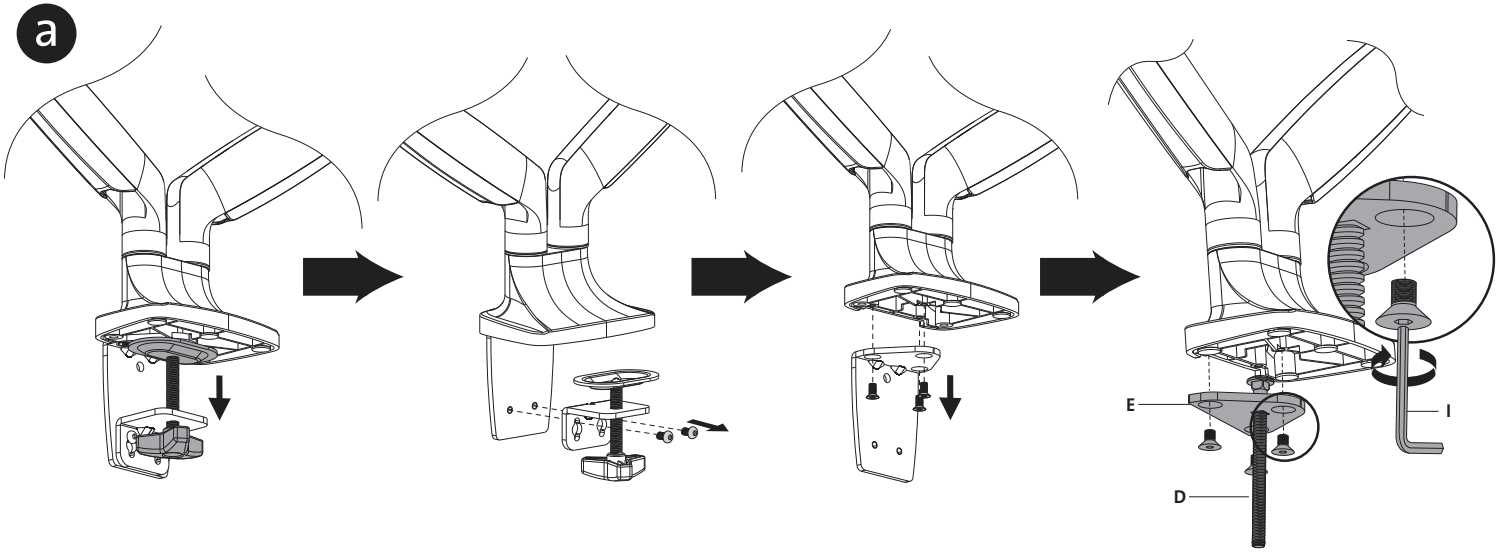
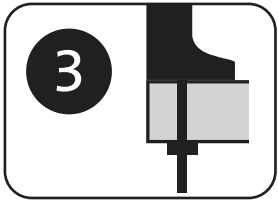
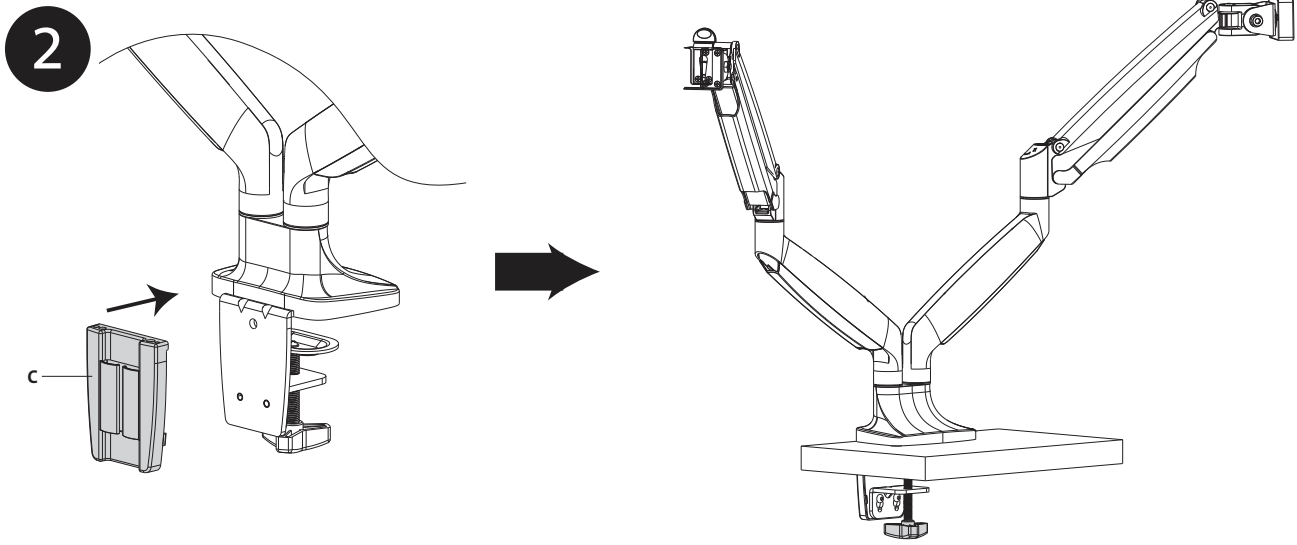


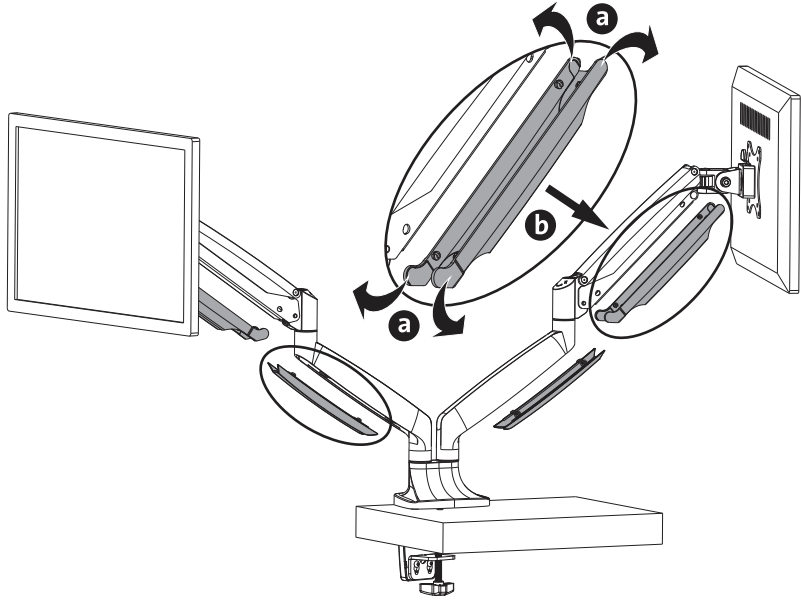
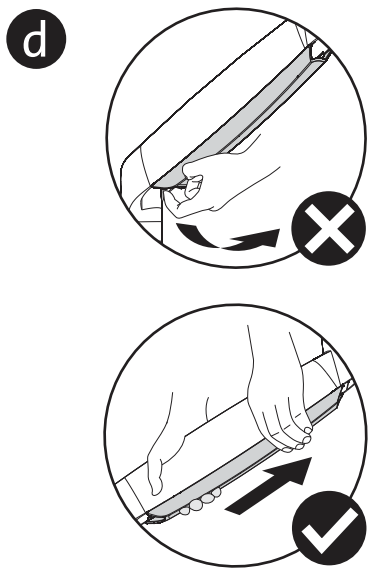
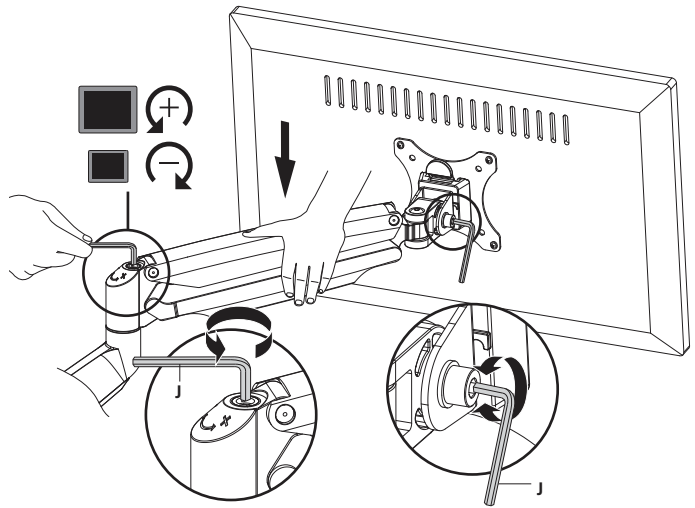
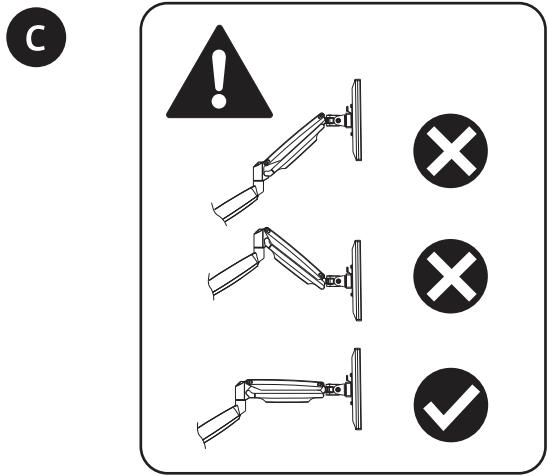
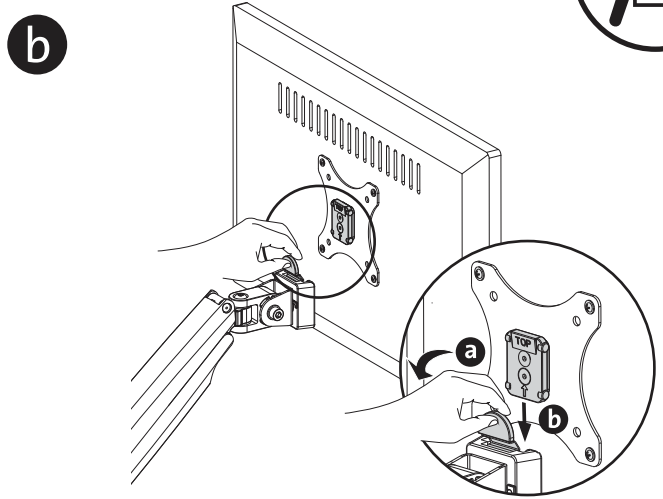
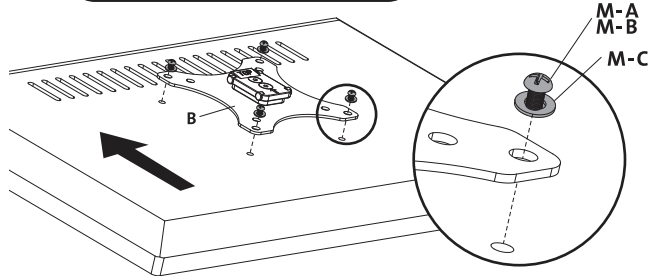
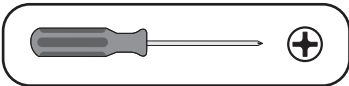
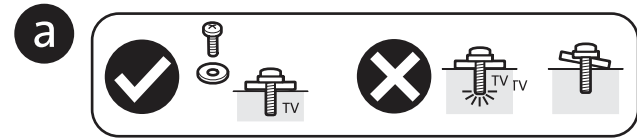
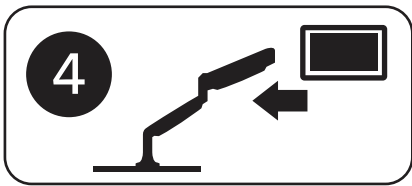
b



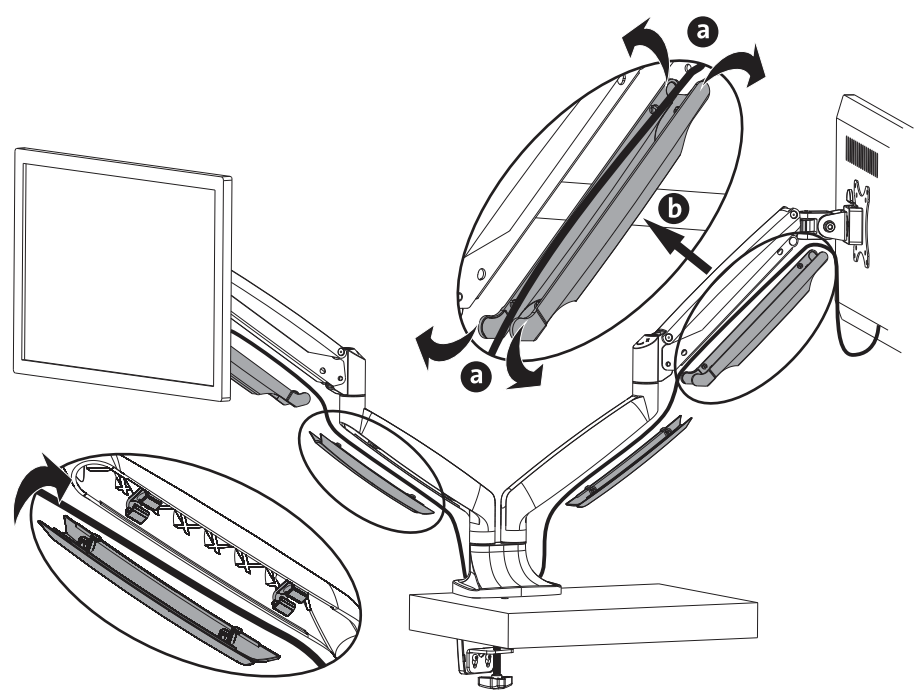
c



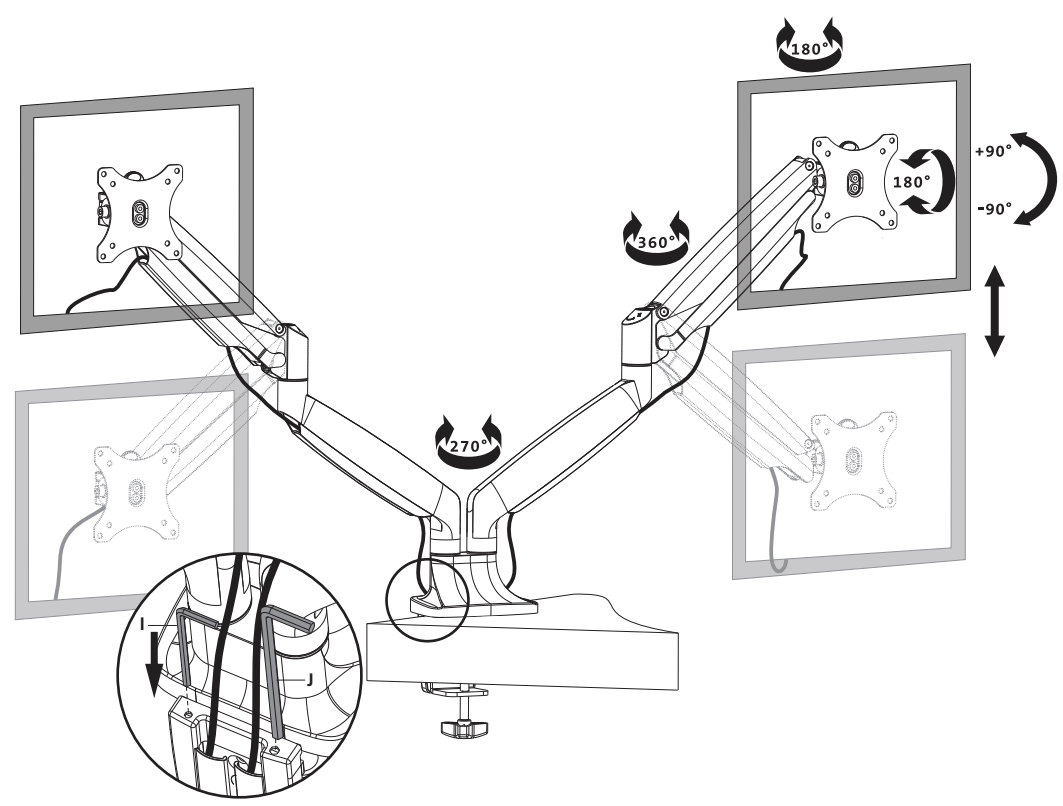




e



f



13 - 34 in
(330 - 863.6mm)



$\leq 19.8\text{lbs}$
($\leq 9\text{kg}$)



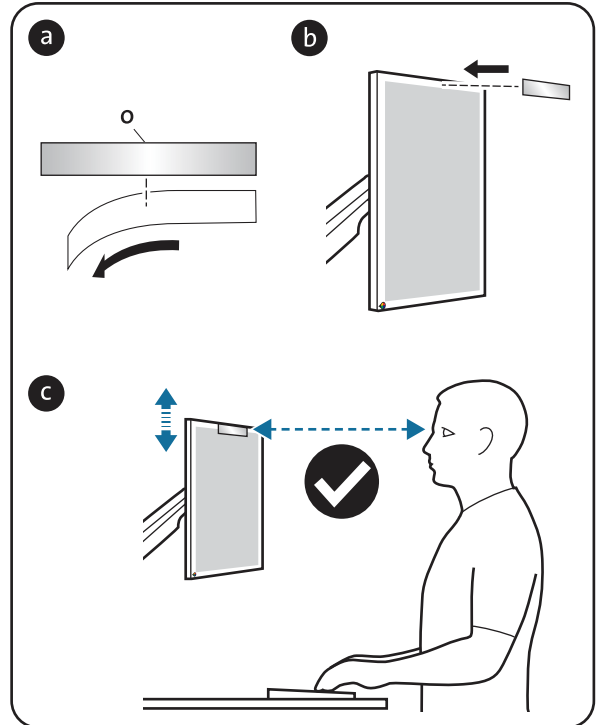
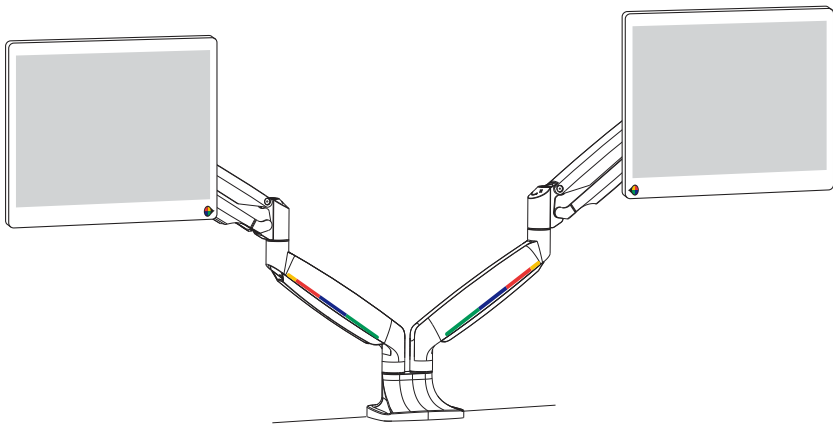
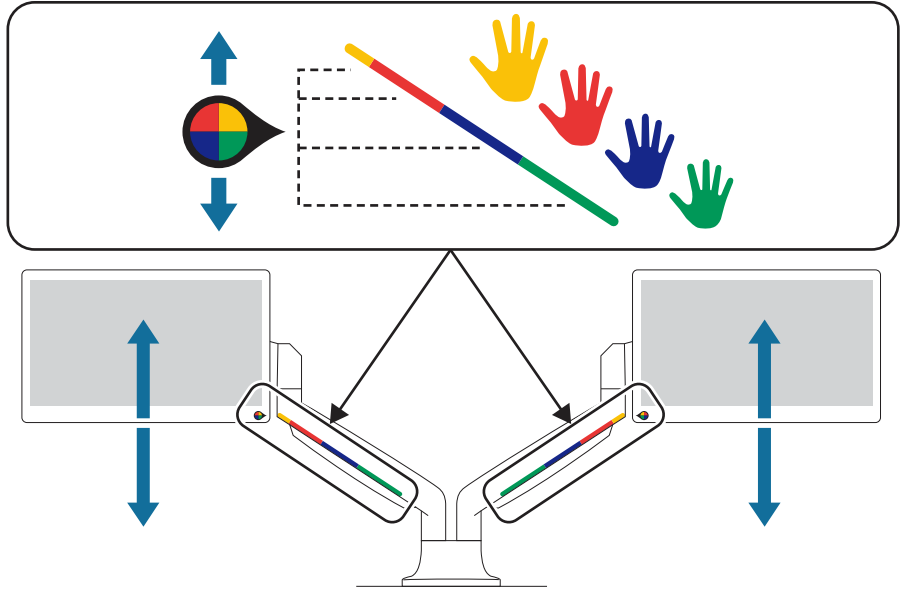
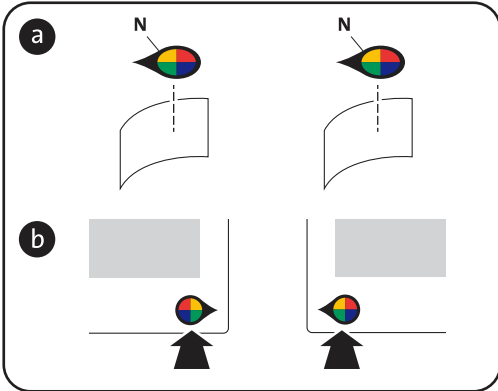
www.kensington.com/support



| | | | | | |
|-------------------|----------------|-------------|------------------|--------------------|------------------|
| Australia | 1300 881 931 | Hong Kong | 00852 2823 5130 | Polska | 22 570 18 00 |
| België / Belgique | 02 401 2395 | Hungary | 06 20 9430 612 | Portugal | 800855802 |
| Brasil | 14 3235-4003 | Ireland | 01 431 1395 | Россия | 007 495 933 5163 |
| Canada | 1 800 268 3447 | Italia | 02 3604 7030 | Schweiz / Suisse | 044 580 6667 |
| 中国 | 400 600 4599 | Japan | +81 04-7129-2135 | Singapore | +65-6776-0195 |
| Denmark | 80 250966 | México | 55 15 00 57 00 | Sweden | 08 5033 6577 |
| Deutschland | 0692 222 3654 | Nederland | 010 713 1882 | United Kingdom | 0203 364 5390 |
| España | 911 146 735 | New Zealand | 0800 539 26273 | United States | 1 800 535 4242 |
| Finland | 0800 9 15697 | Norway | 80017520 | International Toll | +31 53 484 9135 |
| France | 01 7671 0404 | Österreich | 0800 677 873 | | |

1





Kensington, SmartFit and ACCO are registered trademarks of ACCO Brands. All other registered and unregistered trademarks are the property of their respective owners.

© 2020 Kensington Computer Products Group, a division of ACCO Brands USA LLC. Any unauthorized copying, duplicating, or other reproduction of the contents hereof is prohibited without written consent from Kensington Computer Products Group. All rights reserved. 09/20

Kensington Computer Products Group
A Division of ACCO Brands
1500 Fashion Island Blvd, 3rd Floor
San Mateo, CA 94404



ACCO Brands Europe
A Division of ACCO Brands Europe
Oxford House, Oxford Road
Aylesbury, Buckinghamshire,
HP21 8SZ United Kingdom

ACCO Brands Canada Inc
7381 Bramalea Rd
Mississauga, ON L5S 1C4
accobrandscanada.com

ACCO Brands Australia - Kensington
2 Coronation Avenue
Kings Park NSW 2148
Australia

Importado por ACCO Mexicana S.A. de C.V.
Circuito de la Industria Norte # 6,
Corredor Industrial Toluca Lerma,
Lerma México Cp. 52004
R.F.C. AME640229-1W3

Acco Brands Chile S.A.,
Avda. Presidente Riesco # 5711,
oficina 201
Las Condes, Santiago, Chile
CP 7561114
www.accobrands.cl

Importado e Distribuído por:
TILIBRA PRODUTOS DE PAPELARIA
LTDA.
CNPJ: 44.990.901/0001-43
Rua Aymorés, 6-9 – Bauru/SP – Brasil
CEP 17013-900
sac@tilibra.com.br

Importer:
LEITZ ACCO Brands GmbH & Co KG
Siemensstraße 64
70469 Stuttgart
Germany

Dystrybutor:
Esselte Polska Sp. z o.o., ul.
Przemysłowa 11A,
26-900 Koźnice

Dovozce/Dovozca:
Esselte, s.r.o., V Lužich 818,
142 00 Praha 4,
Česka republika

Forgalmazza:
Esselte Kft, Vaci ut 76. V. torony I.
emelet,
1133 Budapest,
Magyarország

Importator:
Esselte Sales SRL, Gheorghe
Țițeica 121C,
Sector 2, București,
Romania

Дистрибутор:
Есселте Польска Сп. з о.о.,
вулиця Пшемислова, 11А,
26-900 Коźнице
Товар не підлягає обов'язковій
сертифікації.
Термін придатності необмежений.

Импортер:
ООО "Эссельте", Россия, 125040,
Москва, 3-я улица Ямского поля,
д.18, тел.
+7(495)933-27-63
Товар не подлежит обязательной
сертификации.
Срок годности не ограничен.

Өндіруші:
"Esselte Polska Sp. z o.o.", ul.
Przemysłowa 11A, 26-900 Koźnice
Импорттаушы: "АБДИ Компани" АҚ,
Алматы қ., Сейфуллин даңғ. 465/191"
Тауар міндетті сертификаттауды
қажет етпейді.
Жарамдылық мерзімі шектелмеген.

广州市爱珂贸易有限公司
广州市天河区林和西路159号
中泰国际北塔5楼, 501/701室
邮编: 510620
电话: 400 600 4599
网址: https://www.kensington.com/zh-CN
邮箱: infocn@Kensington.com

アコ・ブランド・ジャパン株式会社
〒164-8721
東京都中野区本町1-32-2
ハーモニータワー14F
https://www.kensington.com/ja-JP
E-MAIL: JPKensington@acco.com

ACCO Brands Asia Pte Ltd
5A Toh Guan Road East #06-03,
Singapore 608830

Designed in California, U.S.A.
by Kensington
www.kensington.com